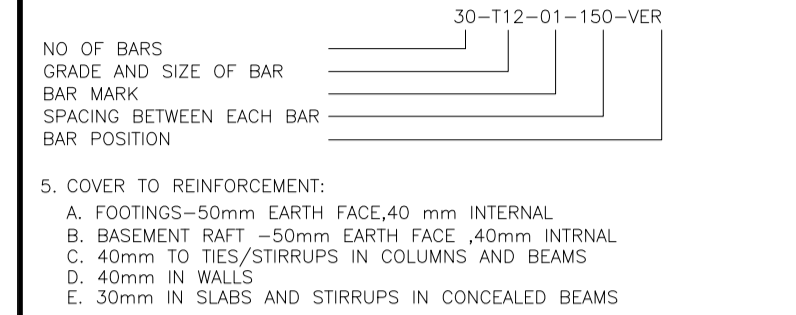


- NOTES:-
 1. DO NOT SCALE THIS DRAWING.
 2. ALL DIMENSIONS ARE IN MILLIMETRES AND LEVELS IN METRES UNLESS OTHERWISE NOTED.
 3. FOR BAR BENDING SCHEDULE REFER : CTG-BP-25-COL-0284
 4. NOTATION OF CALL-OUT BARS SHALL BE AS FOLLOWS:



- NO. OF BARS GRADE AND SIZE OF BAR BAR MARK SPACING BETWEEN EACH BAR BAR POSITION
5. COVER TO REINFORCEMENT:
 A. FOOTINGS-50mm EARTH FACE, 40 mm INTERNAL
 B. BASEMENT RAFT -50mm EARTH FACE, 40mm INTERNAL
 C. 40mm TO TIES/STIRRUPS IN COLUMNS AND BEAMS
 D. 40mm IN WALLS
 E. 30mm IN SLABS AND STIRRUPS IN CONCEALED BEAMS
6. TYPICAL LAP LENGTH: 50 x BAR DIA
7. ABBREVIATIONS :
 T1 - TOP 1ST LAYER B1 - BOTTOM 1ST LAYER
 T2 - TOP 2ND LAYER B2 - BOTTOM 2ND LAYER
 T3 - TOP 3RD LAYER B3 - BOTTOM 3RD LAYER
 SSL - STRUCTURAL SLAB LEVEL STAG - STAGGERED
 ABR - ALTERNATE BARS REVERSED ALT - ALTERNATE BARS
 NF - NEAR FACE BARS NF - FAR FACE BARS
 THK - THICK THIN - THIN
 HORIZ - HORIZONTAL VER - VERTICAL
 SF - SIDE FACE BAR

8. LEGEND:
 - - - - - TOP BARS
 - - - - - BOTTOM BARS

GA-REFERENCE

SLNO	REFERENCES	REV.
1.		0
2.		0
3.		0
4.		0

STRUCTURAL DRAWINGS:

SLNO	REFERENCES	REV.	DESCRIPTION
1.		05	GENERAL NOTES
2.		08	STANDARD DETAILS
3.		08	GROUND FLOOR GENERAL ARRANGEMENT ZONE 5&6
4.		01	GROUND FLOOR SECTIONS & DETAILS ZONE 5
5.		15	COLUMN AND WALL SCHEDULE & DETAILS
6.		03	COLUMN AND WALL SCHEDULE & DETAILS
7.		06	FIRST FLOOR GENERAL ARRANGEMENT ZONE 5&6
8.		02	FIRST FLOOR SECTIONS & DETAILS ZONE 5

6. NOTE:
 THIS DRAWING WAS NOT CO-ORDINATED WITH BUILDERS WORK (MEP) DRAWINGS. JUST FOR REVIEW ONLY.

ISSUED FOR APPROVAL

Rev.	Description	Date	Drawn	Checked
0				

PROJECT:

CLIENT:

Design Architect :

Architect Of Record :

MAIN CONTRACTOR :

SUB-CONTRACTOR :

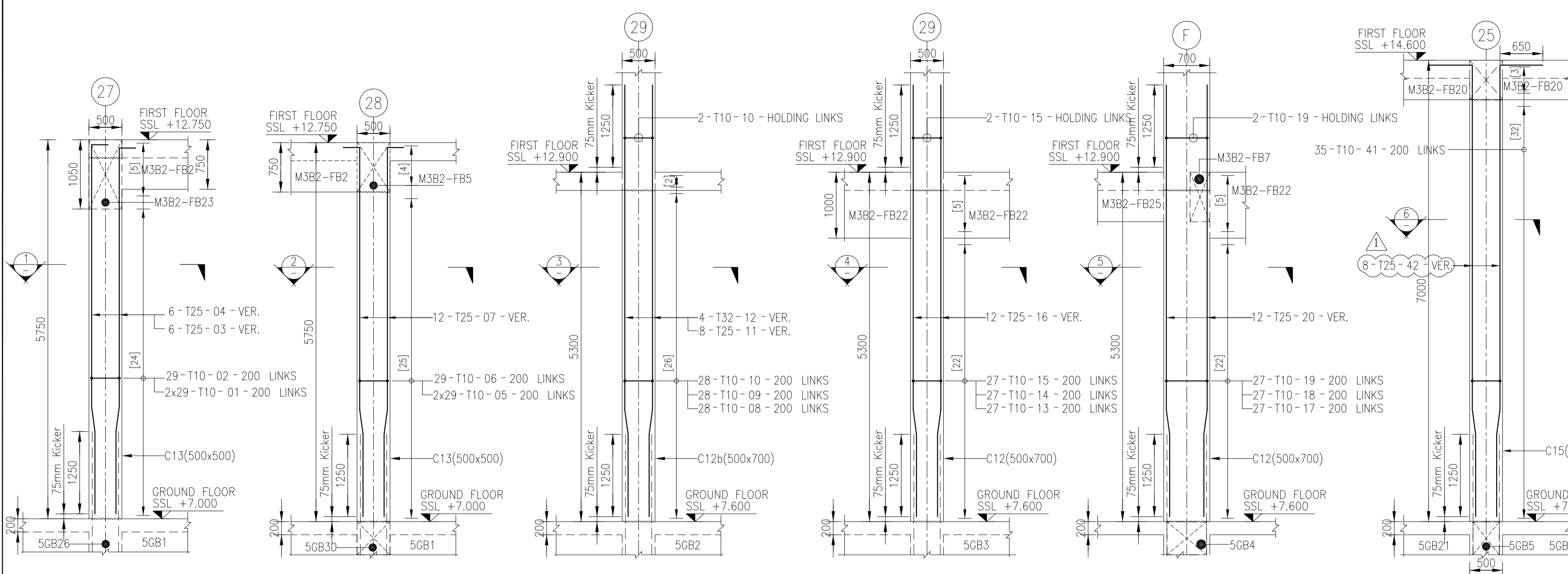
DRAWING TITLE:
REINFORCEMENT DETAILS FOR COLUMNS FROM GROUND TO FIRST FLOOR (SHEET 2 OF 2)

AS SHOWN @ A1

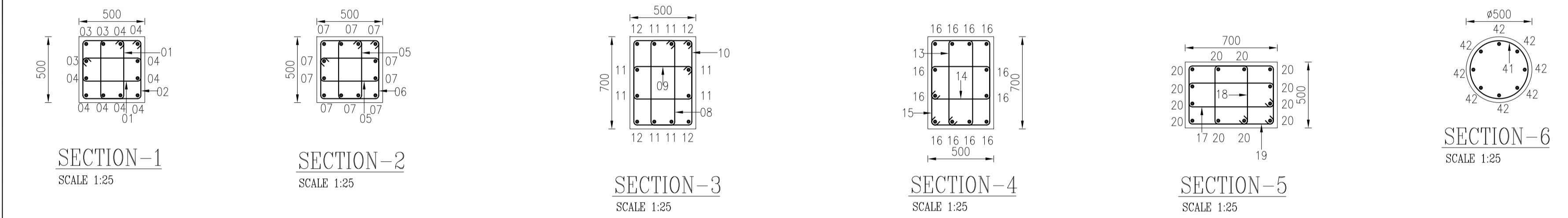
DRAWN: CHECKED: APPROVED:

PLOTTED ON:

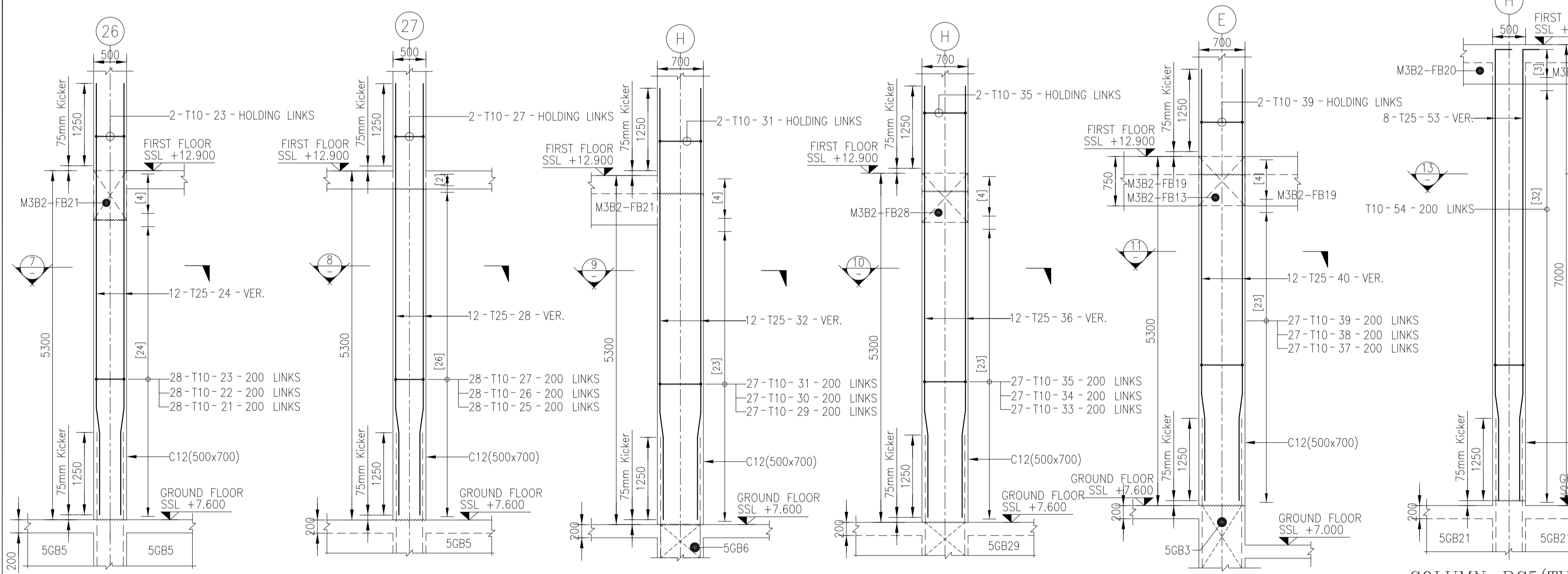
JOB NO.: DRAWING NO. REV. **011 0**



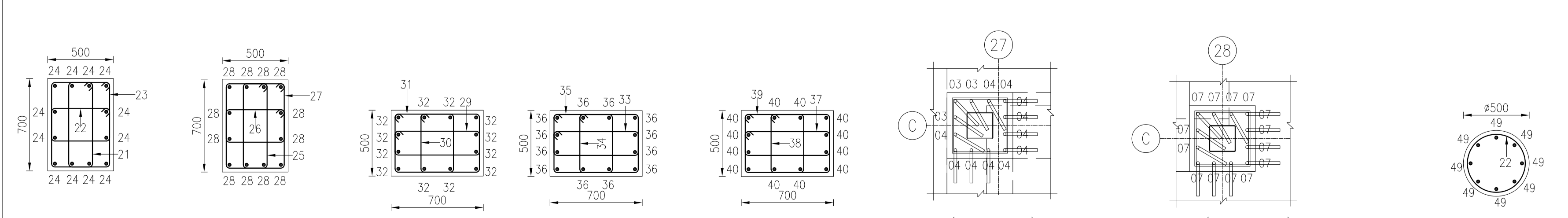
COLUMN-C13(TYPE-1) SCALE 1:50
 COLUMN-C13(TYPE-2) SCALE 1:50 (1 NO)
 COLUMN-C12b(TYPE-1) SCALE 1:50 (1 NO)
 COLUMN-C12(TYPE-1) SCALE 1:50 (1 NO)
 COLUMN-C12(TYPE-2) SCALE 1:50 (1 NO)
 COLUMN-C15(TYPE-1) SCALE 1:50 (1 NO)



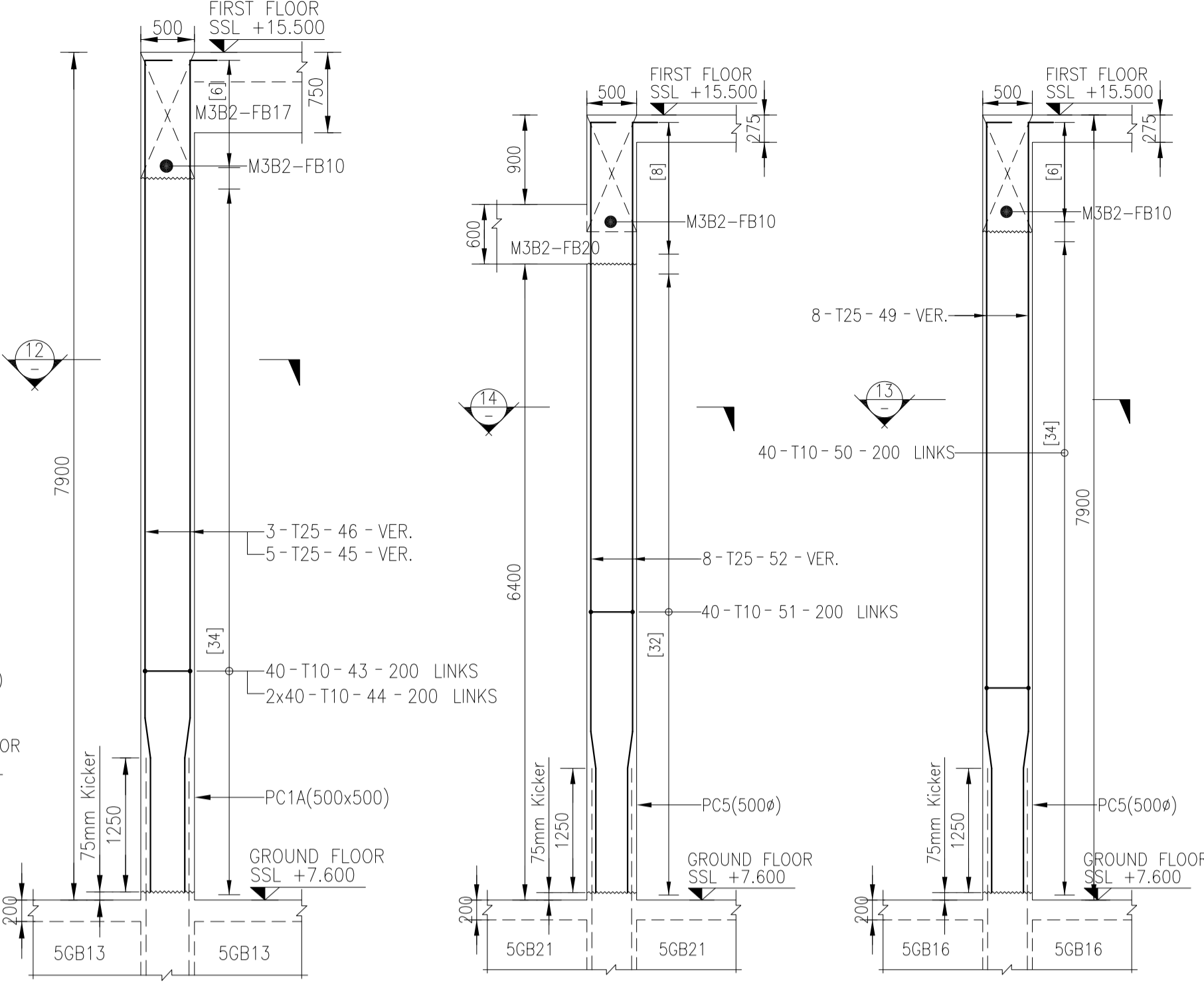
SECTION-1 SCALE 1:25
 SECTION-2 SCALE 1:25
 SECTION-3 SCALE 1:25
 SECTION-4 SCALE 1:25
 SECTION-5 SCALE 1:25
 SECTION-6 SCALE 1:25



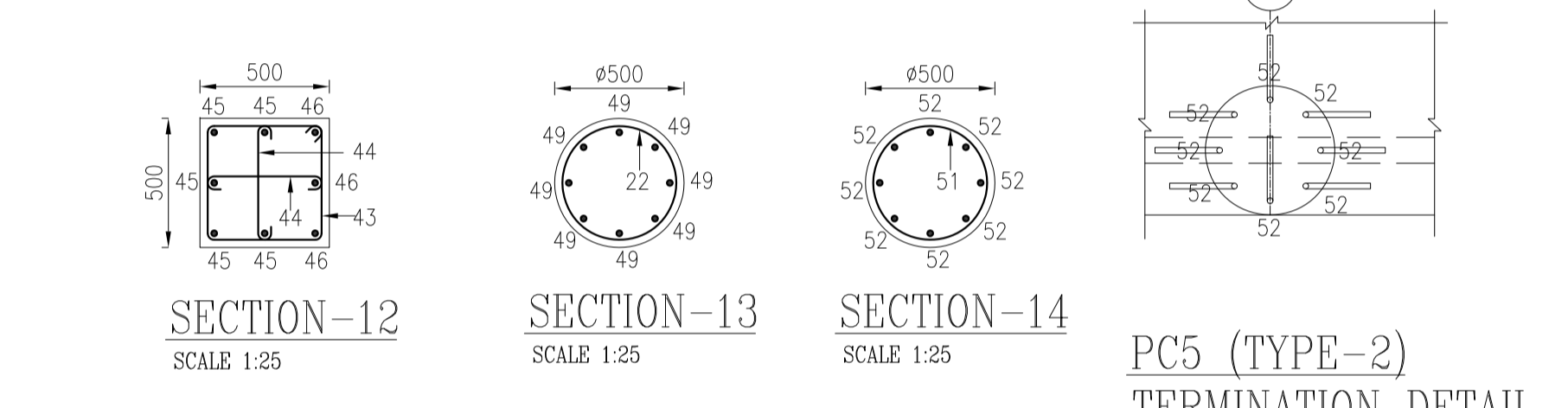
COLUMN-C12(TYPE-3) SCALE 1:50 (1 NO)
 COLUMN-C12(TYPE-4) SCALE 1:50 (1 NO)
 COLUMN-C12(TYPE-5) SCALE 1:50 (1 NO)
 COLUMN-C12(TYPE-6) SCALE 1:50 (1 NO)
 COLUMN-C12(TYPE-7) SCALE 1:50 (1 NO)
 COLUMN-PC5(TYPE-3) SCALE 1:50 (1 NO)



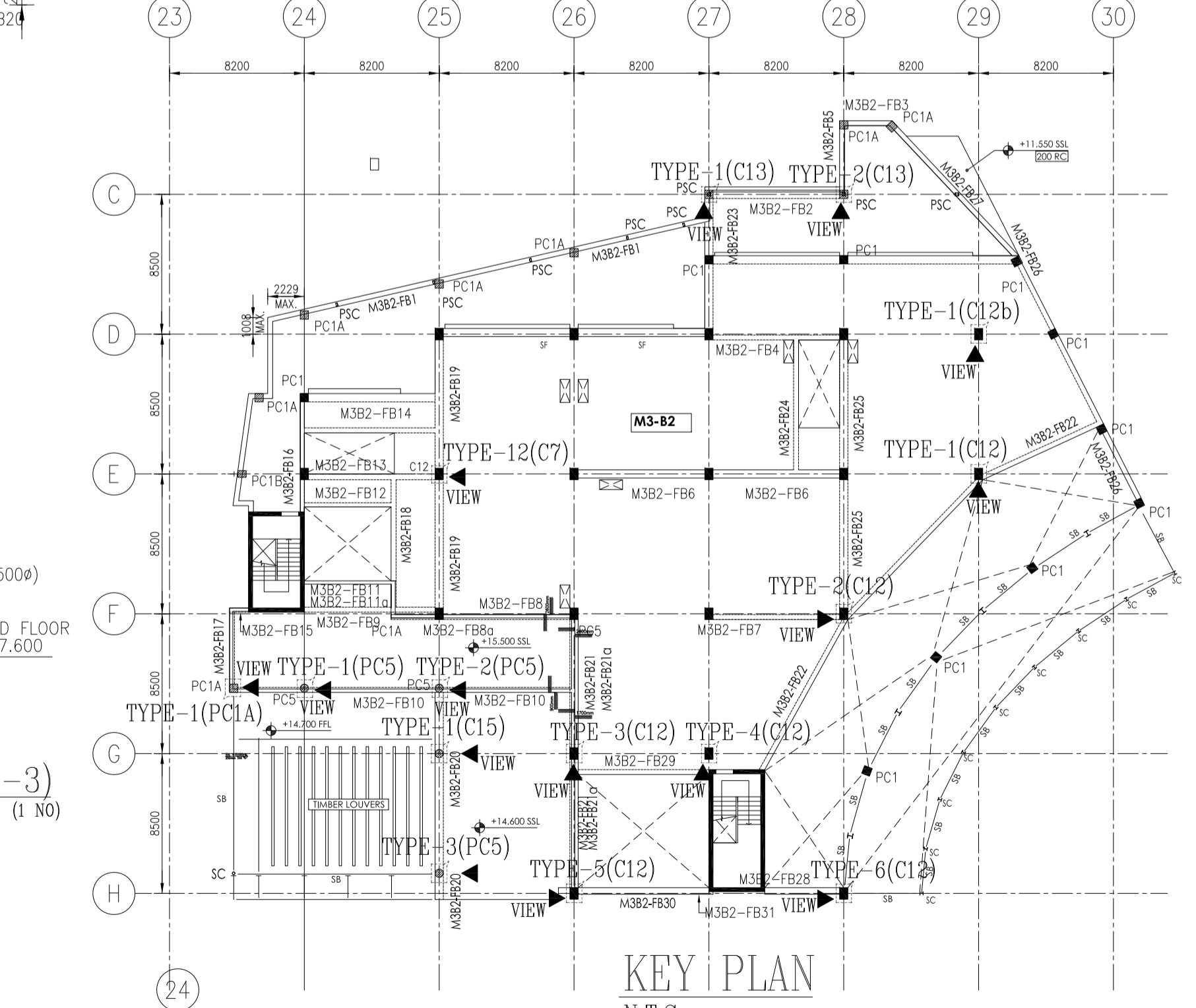
SECTION-7 SCALE 1:25
 SECTION-8 SCALE 1:25
 SECTION-9 SCALE 1:25
 SECTION-10 SCALE 1:25
 SECTION-11 SCALE 1:25
 SECTION-13 SCALE 1:25



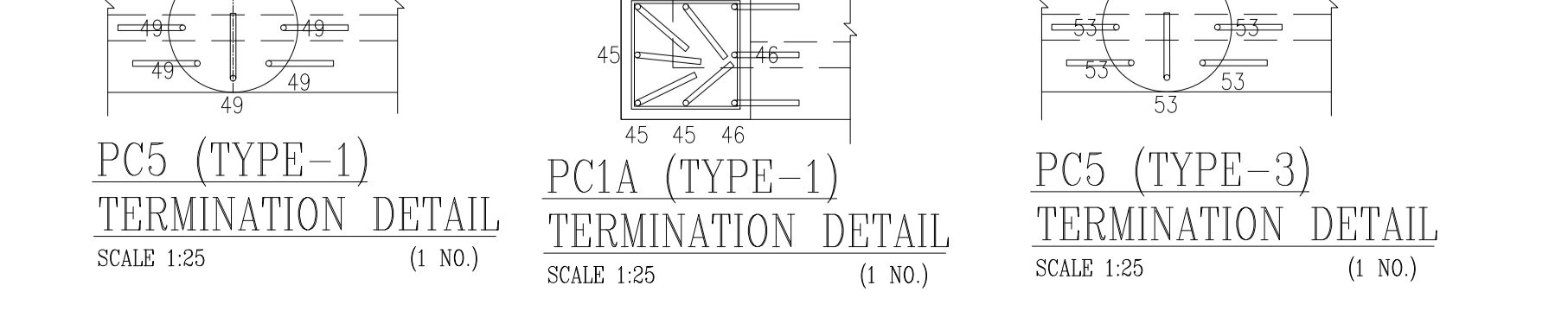
COLUMN-PC1A(TYPE-1) SCALE 1:50 (1 NO)
 COLUMN-PC5(TYPE-2) SCALE 1:50 (1 NO)
 COLUMN-PC5(TYPE-1) SCALE 1:50 (1 NO)



SECTION-12 SCALE 1:25
 SECTION-13 SCALE 1:25
 SECTION-14 SCALE 1:25
 PC5 (TYPE-2) TERMINATION DETAIL SCALE 1:25 (1 NO)



KEY PLAN N.T.S.



PC5 (TYPE-1) TERMINATION DETAIL SCALE 1:25 (1 NO)
 PC1A (TYPE-1) TERMINATION DETAIL SCALE 1:25 (1 NO)
 PC5 (TYPE-3) TERMINATION DETAIL SCALE 1:25 (1 NO)